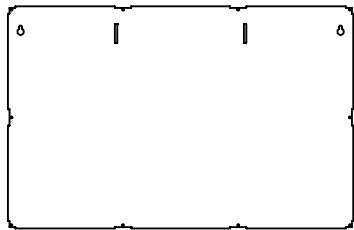


# Wall Mounted Display Case for Milky Way Galaxy

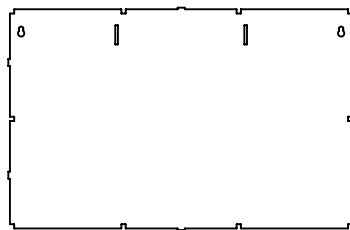
## ASSEMBLY INSTRUCTIONS

PLEASE CAREFULLY READ AND FOLLOW ALL THE INSTRUCTIONS IN THE DESIGNATED SEQUENCE.

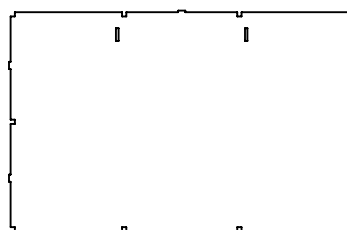
### CASE PARTS LIST:



BACK PANEL  
(1 pc)



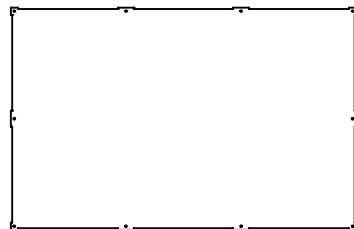
MIDDLE BACK PANEL  
(1 pc)



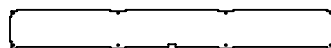
FRONT BACK PANEL  
(1 pc)



SCREW  
(48 pcs)



FRONT PANEL  
(1 pc)



TOP PANEL  
(1 pc)



MOUNTING BRACKET  
(2 pcs)



WALL ANCHOR  
(2 pcs)



BOTTOM PANEL  
(1 pc)



CUBE  
(20 pcs)



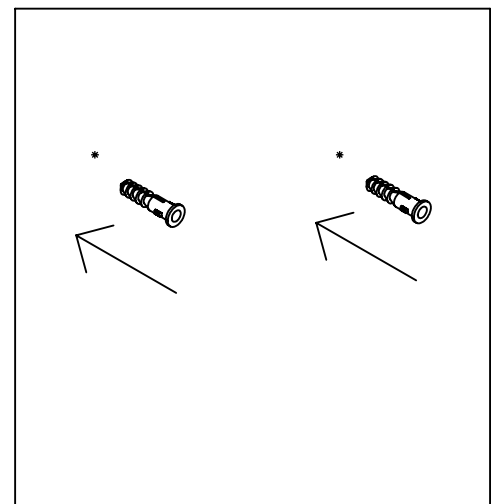
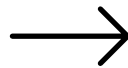
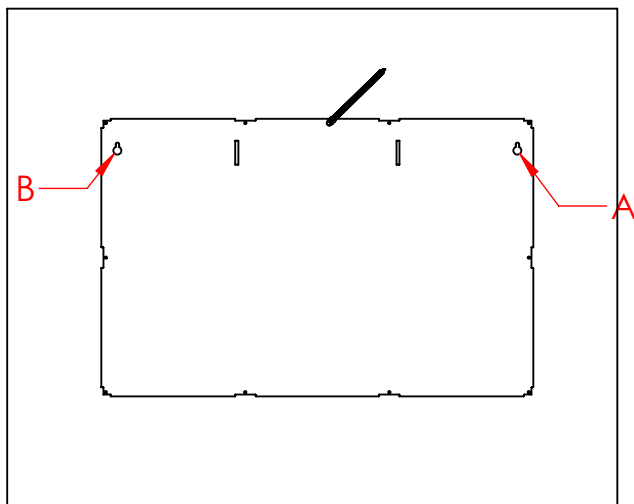
SIDE PANEL  
(2 pcs)



WALL SCREW  
(2 pcs)

**STEP 1:** Remove protective film from both sides of each part before assembly.

**STEP 2:** Note: Wall Anchors are for installation in drywall only, if screwing directly into wall studs, use screws only. While holding the Back Panel against the wall in the desired mount location, mark the two mounting hole locations with a pencil (A & B, see below). Remove panel from wall and screw/drill the Wall Anchors into the drywall.

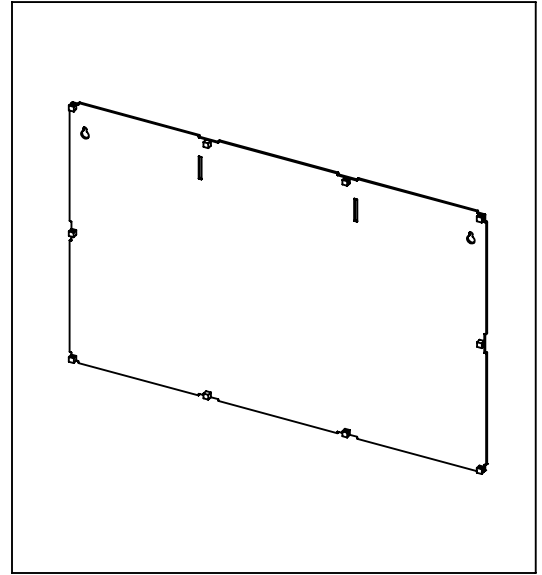
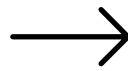
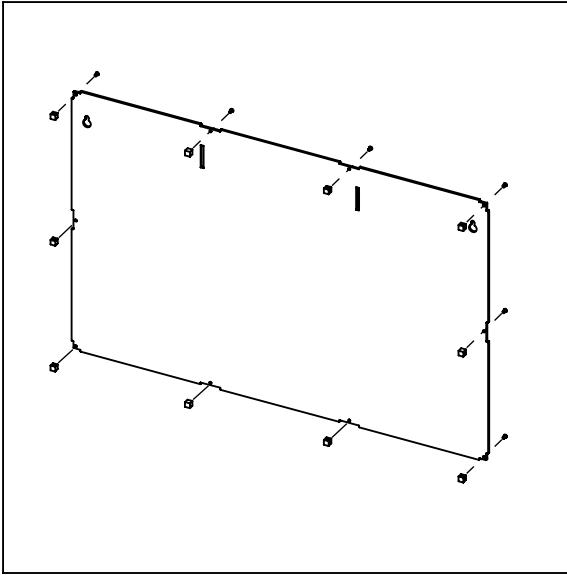


# Wall Mounted Display Case for Milky Way Galaxy

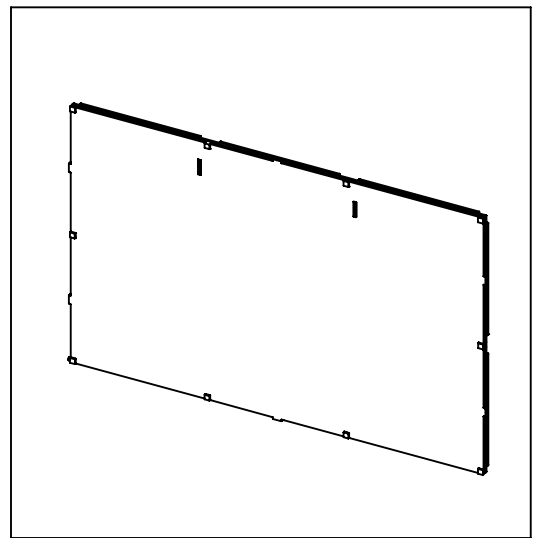
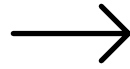
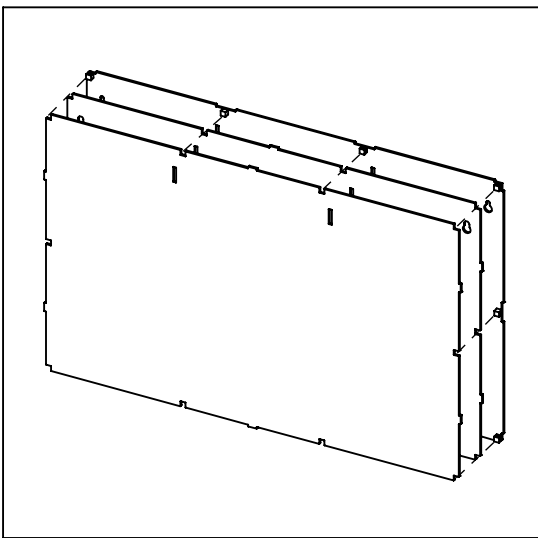
## ASSEMBLY INSTRUCTIONS

PLEASE CAREFULLY READ AND FOLLOW ALL THE INSTRUCTIONS IN THE DESIGNATED SEQUENCE.

**STEP 3:** Attach Cubes to Back Panel using Screws. Do not over-tighten so that screws are easy to rotate, if the position of the holes on the cubes needs to be adjusted. Use manual tools only. Do not use power tools.



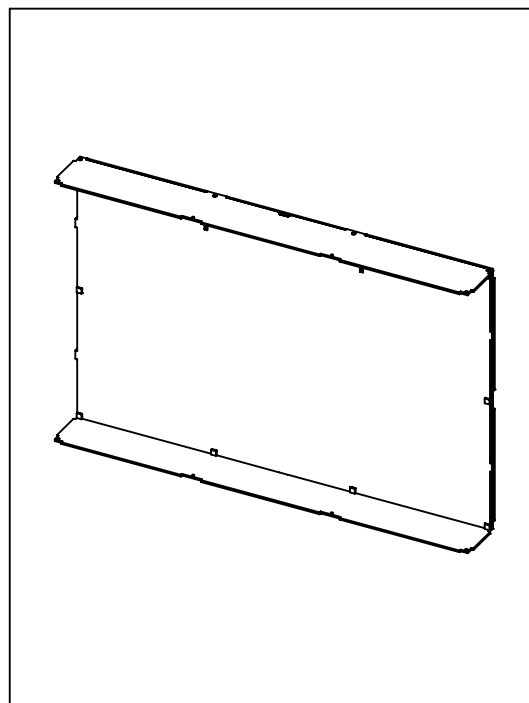
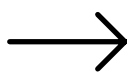
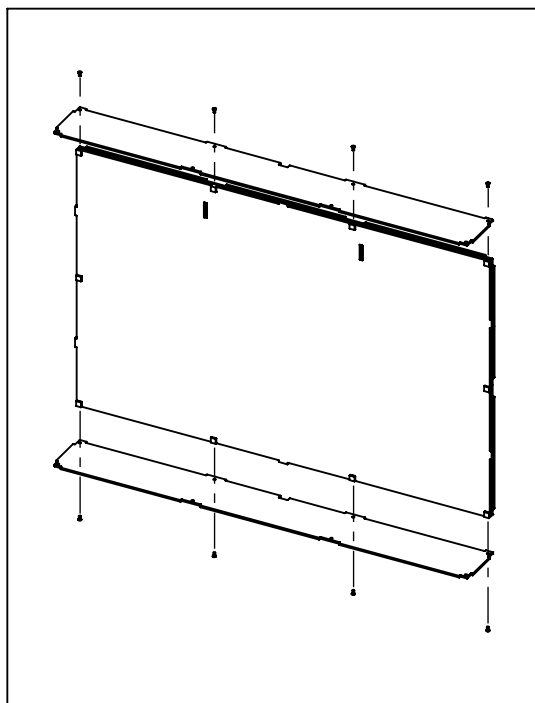
**STEP 4:** Place Middle Back Panel and Front Back Panel in front of Back Panel.



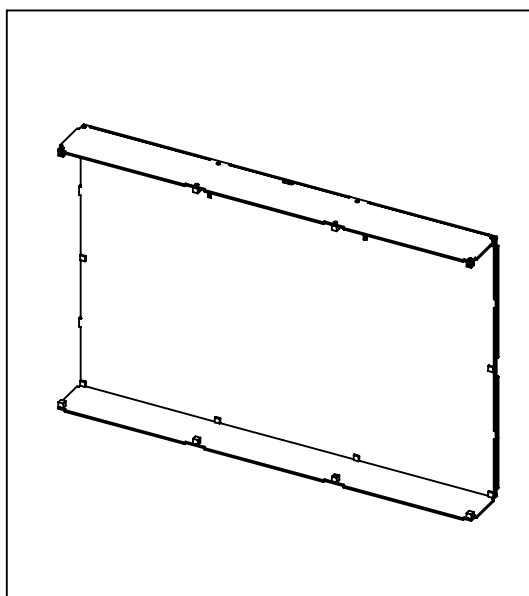
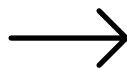
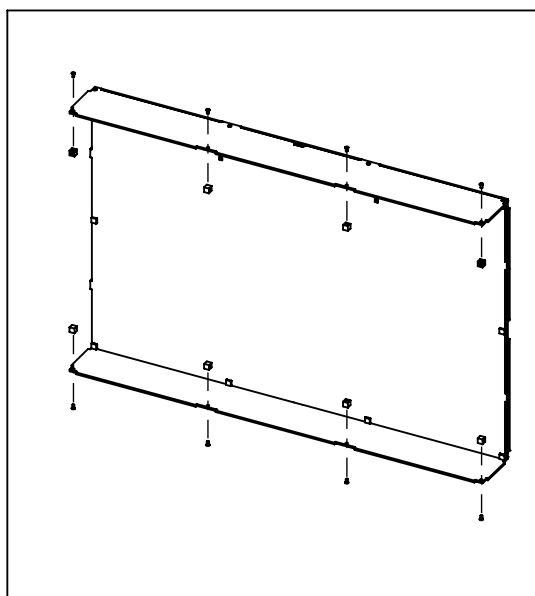
**ASSEMBLY INSTRUCTIONS**

**PLEASE CAREFULLY READ AND FOLLOW ALL THE INSTRUCTIONS IN THE DESIGNATED SEQUENCE.**

**STEP 5:** Attach both Top & Bottom Panel to unit using Screws.



**STEP 6:** Attach Cubes to front of Top Panel & Bottom Panel using Screws.

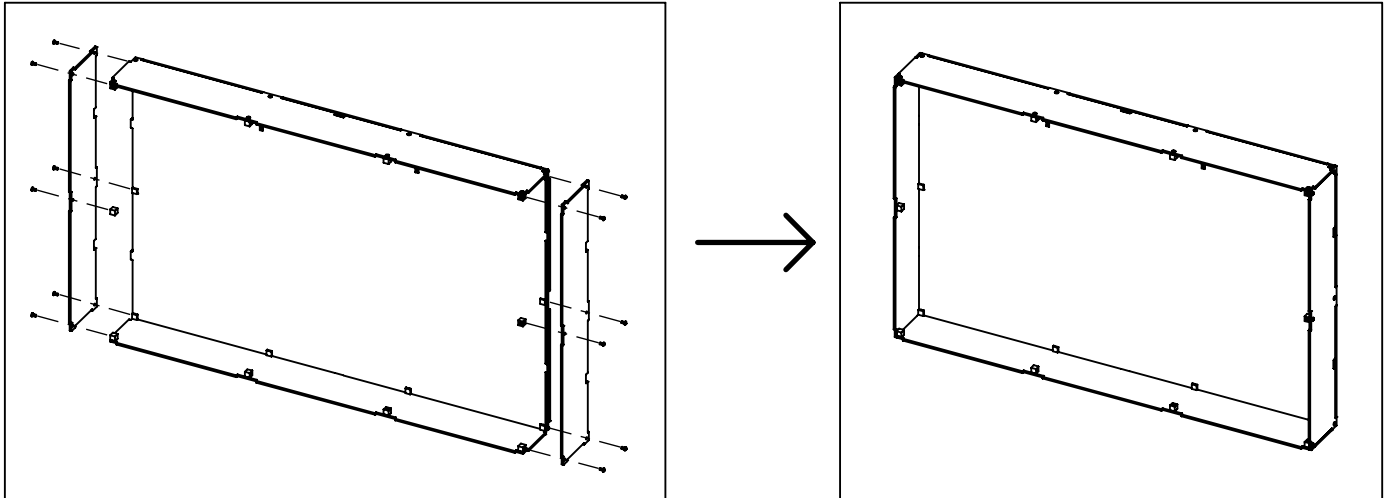


# Wall Mounted Display Case for Milky Way Galaxy

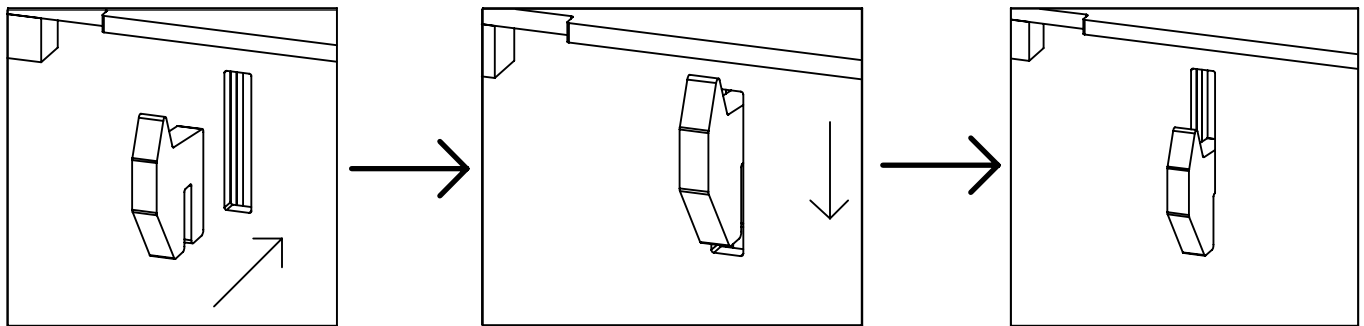
## ASSEMBLY INSTRUCTIONS

PLEASE CAREFULLY READ AND FOLLOW ALL THE INSTRUCTIONS IN THE DESIGNATED SEQUENCE.

**STEP 7:** Attach Side Panels to Back Panel using Screws. Add Cube to the front middle of Side Panels.

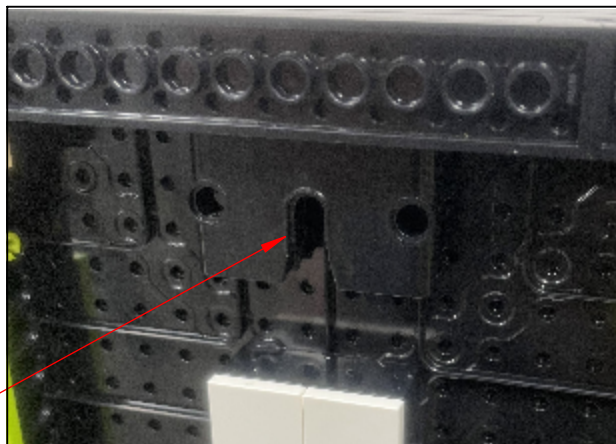


**STEP 8:** Insert Mounting Brackets into vertical slot on Back Panels, as shown below.



**STEP 9:** Lay assembled unit on a flat even surface. Place LEGO® set inside of unit by sliding brackets of LEGO® set pictured below, onto Mounting Brackets.

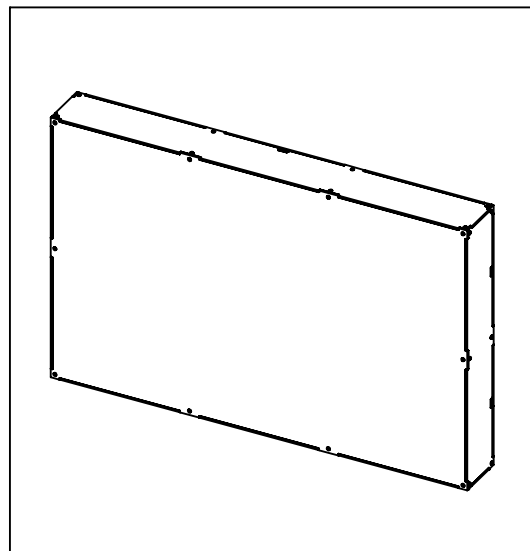
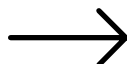
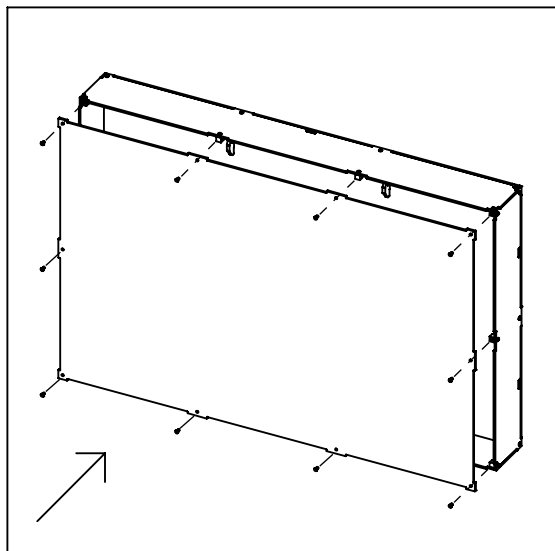
SLIDE ONTO  
MOUNTING  
BRACKETS



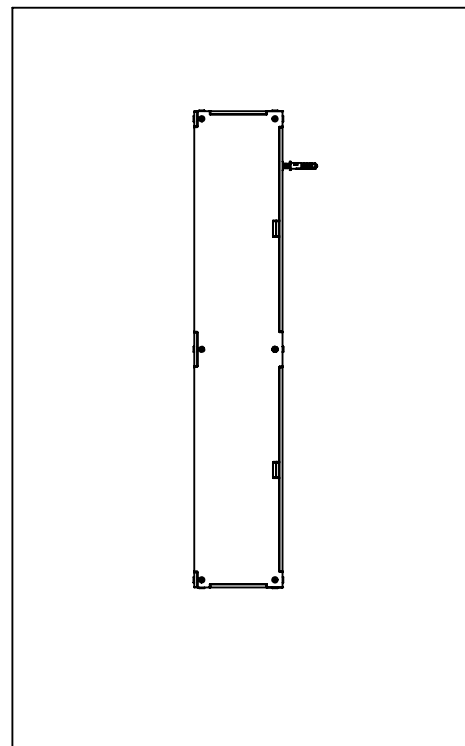
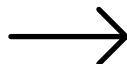
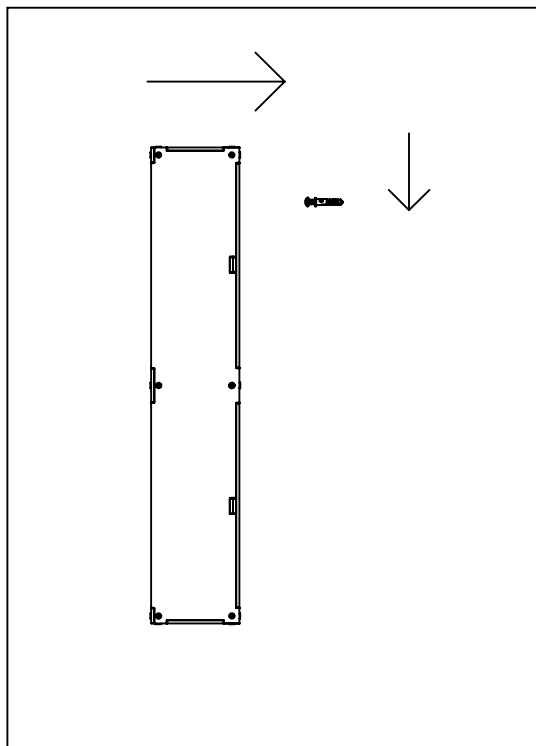
## ASSEMBLY INSTRUCTIONS

PLEASE CAREFULLY READ AND FOLLOW ALL THE INSTRUCTIONS IN THE DESIGNATED SEQUENCE.

**STEP 10:** Attach Front Panel to the front of the unit using Screws.



**STEP 11:** Slide Display Case over and down Wall Screws to mount.



**ASSEMBLY INSTRUCTIONS**

**PLEASE CAREFULLY READ AND FOLLOW ALL THE INSTRUCTIONS IN THE DESIGNATED SEQUENCE.**

## ASSEMBLY COMPLETED

